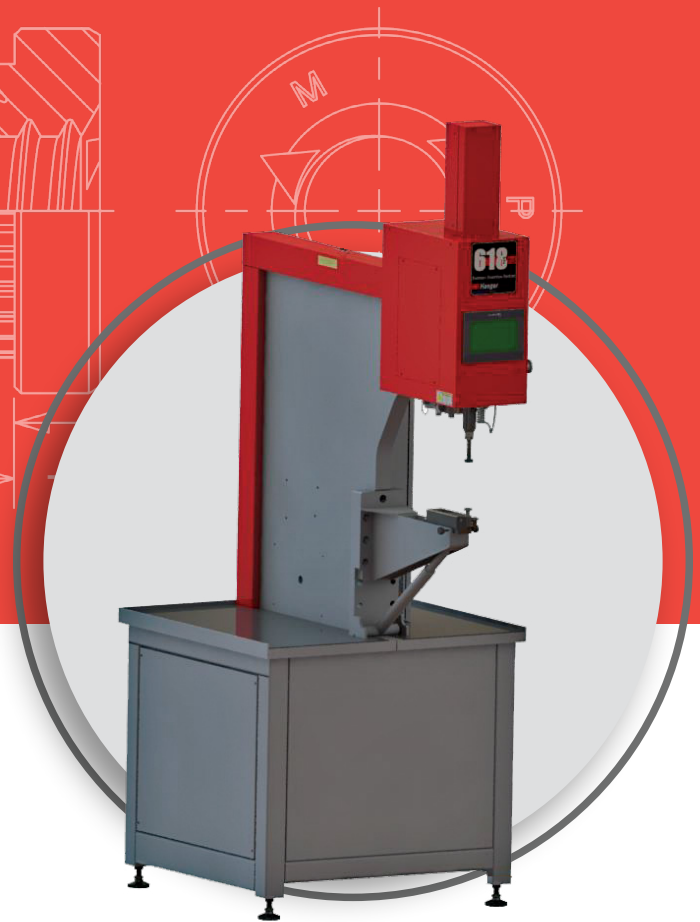
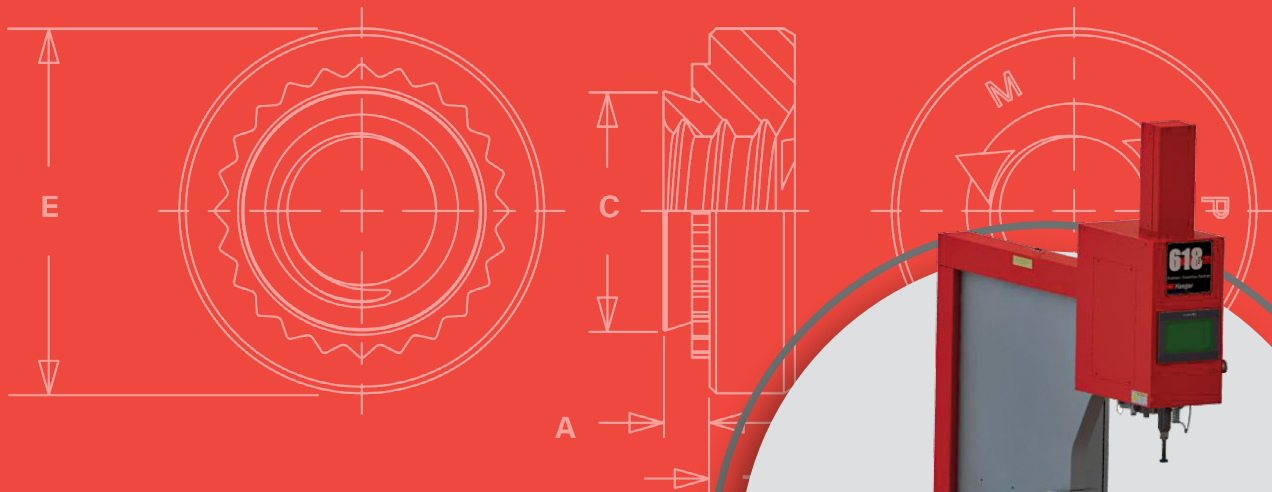




HAEGER® 618™ PRO-AA™ FASTENER INSERTION MACHINE

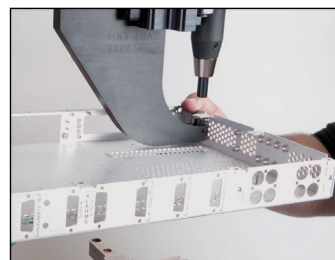


Haeger® 618™ Pro-AA™ Fastener Insertion Machine

Designed for fabricators with simplified needs, featuring quick setup and quiet installation

Features & Benefits

- Features an adjustable arm on the frame that can be moved up or down to adapt to different workpiece.
- 6 tons (53.4 kN) ram force and 18 inches (457 mm) throat depth.
- The new hydraulic system improves the efficiency by 11% compared with the 618™ Plus Insertion Machine.
- Equipped with Haeger® patented safety system.
- PLC control system.
- 7-inch screen operation interface.
- Built-in counter.



Manual tooling J-Frame is used for small boxes and short reverse flanges.

Specifications

Fastener Range	#2-56 to 5/16" (M2 to M8)
Force Range	Adjustable 400 to 12,000 lbs. (1.8 to 53.4 kN)
Drive System Type	Hydraulic
Insertions per Hour	Up to 1,400
Control System	PLC Control
Auto-Feed	N/A
Batch Counter	Standard
Fastener Database	N/A
Insertion Graphics	No
Fastener Length Detection	No
Positive Stop	N/A
Screen Size	7"
Robot Ready	N/A
Remote Connection	N/A
Repeatability	+ - 2%
Throat Depth	18" (450 mm)
Stroke Length	0 to 8.0" (0 to 200 mm)
Up Travel %	10-100%
Electrical Requirements	3 Phase Low 9 A 208-240 V or High 3.7 A 380-480 V
Air Requirements	90 to 100 PSI (6 to 7 BAR) 1/2" (12mm) dia. minimum line flow
Oil Reservoir Capacity	10 gallons (39 liters)
Weight	1,175 lbs (533 kg)
Footprint	51" x 32" x 90" (1295mm x 813mm x 2286mm)



For more information on the 618™ Pro-AA™ and other Haeger® products, visit our website at www.haeger.com or contact your authorized Haeger® distributor.

All HAEGER® products meet our stringent quality standards. If you require additional industry or other specific [quality certifications](#), special procedures and/or part numbers are required. Please contact your local sales office or representative for further information.

Regulatory [compliance information](#) is available in Technical Support section of our website. Specifications subject to change without notice. See our website for the most current version of this bulletin.



North America: Oakdale, CA USA | Tel: +1-209-848-4000 • 800-878-4343 | Sales: sales@haeger.com | Service: service@haeger.com
Europe: The Netherlands | Tel: +31 541 530 230 | Sales: europesales@haeger.com | Service: europeservice@haeger.com
China: Sales and Service | Tel: +86 152 2121 0215 | E-mail: axue@haeger.com
Asia Pacific: Sales and Service | Tel: +65 6 745 0660 | E-mail: michaelquek@pemnet.com

www.haeger.com • www.pemnet.com