

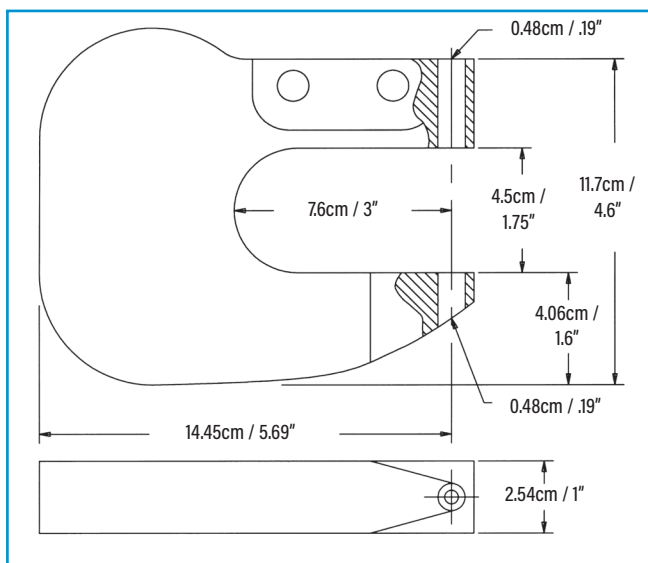
PEMSERTER® SERIES P3® PORTABLE PNEUMATIC HAND TOOL

- Pneumatic power for consistency and simple operation. Requires shop air only.
- Trigger controlled safety.
- Snap-in tooling changeover.
- Tool includes metric or unified tooling.
- Can be bench-mounted. Back side of yoke has two predrilled and tapped holes for bench mounting. Mounting bracket hardware included.
- One-year parts warranty.



The PEMSERTER® Series P3® fastener hand tool is a portable power hand tool weighing only 10 lbs / 4.6 kg that can develop a squeezing force of 22.2 kN / 5,000 lbs.

With the PEMSERTER Series P3 hand tool, you can easily install PEM® self-clinching nuts and studs in metric or unified sizes. The metric tool kit contains punches and anvils to install S™, CLS™ and CLA™ nuts ranging from M2 thru M5 thread sizes and FH™, FHS™ and FHA™ studs up to 12mm in length ranging from M2.5 thru M5 thread sizes. The unified tool kit contains punches and anvils to install nuts and studs up to 0.5" in length ranging from #2-56 thru #10-32 thread sizes.



SPECIFICATIONS

Squeezing Force	22.2 kN / 5,000 lbs.
Pressure System Type	Pneumatic
Air Requirements*	6 to 7 BAR / 90 to 100 PSI 12mm / 1/2" dia. minimum line flow
Throat Depth	7.6cm / 3"
Length	40.6cm / 16"
Yoke Depth	15.8 cm / 6.2"
Weight	4.6 kg / 10 lbs.

*1 psi = 0.07 bar. 1 bar = 14.5 psi.

Bulletin PSP3_MM-1018

©2018, PennEngineering.

See our website for the most current version of this bulletin.

PennEngineering®

Haeger



North America: Oakdale, CA USA • Sales: sales@haeger.com • Service: service@haeger.com • Tel: +1-209-848-4000 • 800-878-4343
Europe: The Netherlands • Tel: +31 541 530 230 • Sales: aasbroek@haeger.com • Service: europeservice@haeger.com
Asia Pacific: Shanghai, PRC • Tel: +86 152 2121 0215 • Service: axue@haeger.com

www.haeger.com • www.pemnet.com